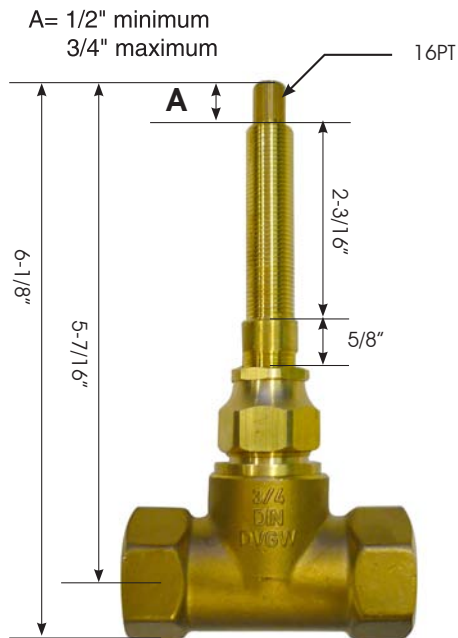
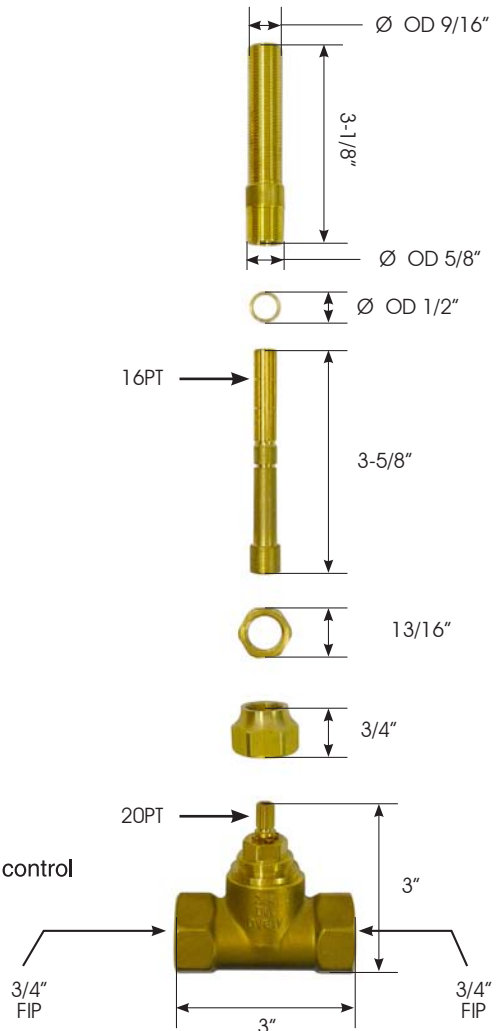


16PT 3/4" Shut-off Valve

**SIDE VIEW
ASSEMBLED**

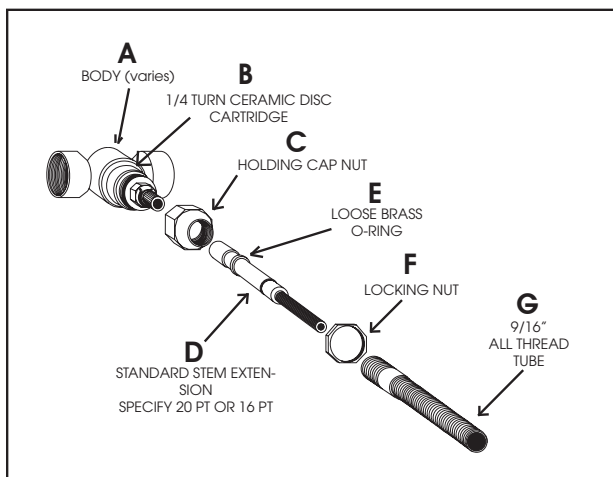


EXPLODED VIEW



1. Follow arrow marked on body for water flow direction.
2. No heat - No torch
3. A 1/4 turn 20pt 3/4" ceramic disc cartridge is used for positive flow control

TO INCREASE TORQUE TENSION



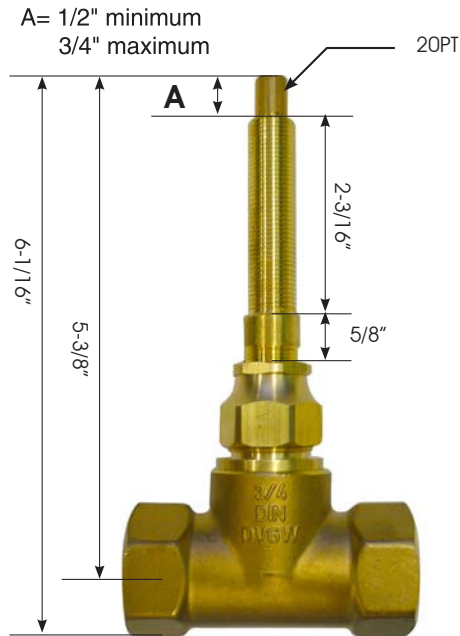
Heavy lever handles require special torque tightening instructions for the spline adapter **Part D**.

The design of our faucet allows the Qualified Plumber Contractor to set the torque on each valve that uses the standard assembly **B** through **G** as shown on above i.e. shut-offs - 2 valve - 3 valve, Pressure Balanced valves and all other valves with the above shown components.

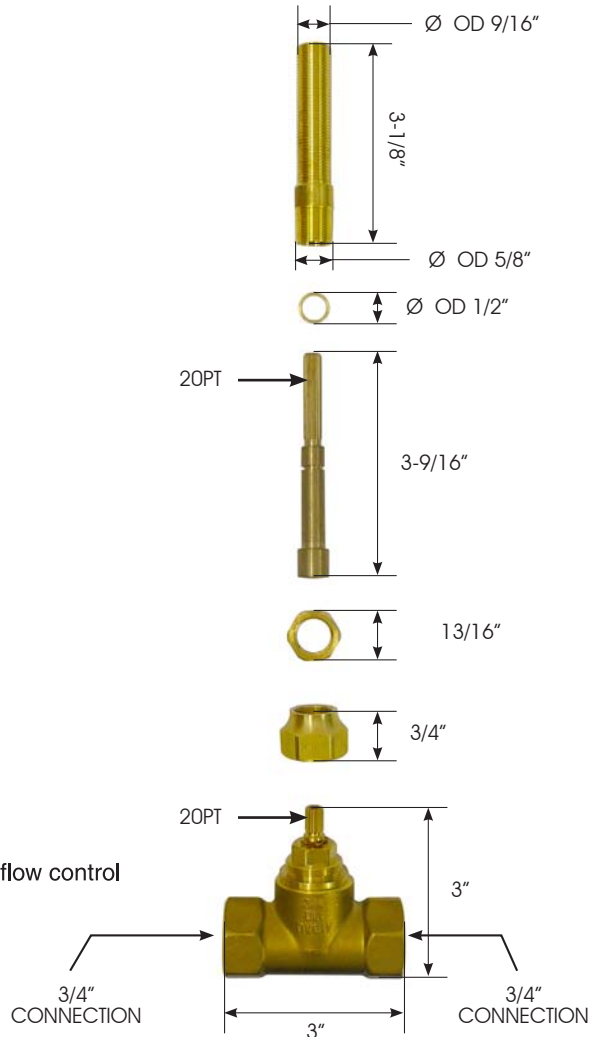
Note: **Part E** is a loose brass O-ring that is compressed inside **Item G**. The all-thread tube has a shoulder that through normal adjustment can be tightened or secured at the desired rate of the user.

20PT 3/4" Shut-off Valve

SIDE VIEW ASSEMBLED

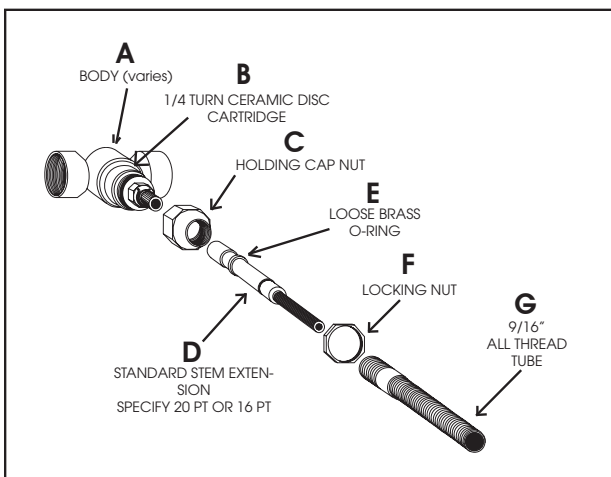


EXPLODED VIEW



1. Follow arrow marked on body for water flow direction.
2. No heat - No torch
3. A 1/4 turn 20pt 3/4" ceramic disc cartridge is used for positive flow control

TO INCREASE TORQUE TENSION



Heavy lever handles require special torque tightening instructions for the spline adapter **Part D**.

The design of our faucet allows the Qualified Plumber Contractor to set the torque on each valve that uses the standard assembly **B** through **G** as shown on above i.e. shut-offs - 2 valve - 3 valve, Pressure Balanced valves and all other valves with the above shown components.

Note: **Part E** is a loose brass O-ring that is compressed inside **Item G**. The all-thread tube has a shoulder that through normal adjustment can be tightened or secured at the desired rate of the user.

Limited Product Warranty

“HOW TO CLAIM”

Product/Finish Warranty: We warranty that products are free from manufacturing defects in materials and workmanship for five (5) years from date of invoice. In addition, our Finish Warranty provides limited LIFETIME coverage for Chrome & PVD finishes, five (5) years for powder coated finishes & Polished Gold. Living finishes are warranted for workmanship only. If any material proves to be defective after inspection by our company, it will be repaired or replaced at our discretion at no charge. However, no claims for labor, shipping costs, or consequential damages will be accepted.

What we will do: We will restore any product whose finish proves to be defective back to its original finish at no charge during the appropriate warranty period stated above. Proof of purchase must be provided. After the warranty period, We will refinish any of its faucets at the prevailing appropriate charge.

What you must do: The faucets must be properly installed according to our instructions and specifications and are for residential use only. The faucets cannot be altered in any way. You must maintain and clean the faucets in accordance with the instructions provided with the product. You must use the faucet(s) for residential use only.

How to obtain service: Send your name, address, and telephone number along with a statement describing the nature of the problem and your paid sales slip or other proof of purchase to: Contact Information will be provided with installation instructions. We will then contact you and take appropriate action. Do not send us any part(s) of your faucet(s) or its various connecting hoses unless we have contacted you and have sent you an approved RGA form. All transportation charges for returned goods must be paid by the customer.

What is not covered: This warranty does not cover the crystal/glass, or porcelain products of any faucet or the drain assembly or aerator on other than the Chrome or PVD finishes. This warranty also does not cover damage caused by accident, alterations, misuse, abuse, normal wear and tear, lime deposits, direct exposure to salty air or corrosive materials, or the color change that takes place with the passage of time, or use in any manner contrary to our printed instructions. Cartridge warranties vary. Please call us for details. In the case of in-the-wall installations, we will assume no liability if there is no access. **In no event will we be liable for labor of any kind, incidental or consequential damages.** This warranty is extended in lieu of all other expressed or implied warranties, whether oral or written. **Many installation compounds are harmful to brass and metal finishes. The use of any lead-based or acidic curing adhesive, silicone, mastic, or plumber's putty on or near our finished products will void the finish warranty. Use only sealants which are neutral curing and are not reactive with metal and brass finishes.** We reserves the right to change, modify or alter its products as deemed necessary. This warranty supersedes any other warranties, whether oral or written.

Unless otherwise contrary to state law governing the purchase, Our liability will not exceed the wholesale price for the product considered defective. This warranty gives you specific legal rights, and you may also have other rights which vary from state to state. Some states do not allow exclusion of incidental or consequential damages, so the above limitation may not apply to you.

VALVE CARE

Your 1/4 turn ceramic valve will provide you a lifetime of service when cared for properly. The most common valve problem is a result of debris in the water line, such as sand, silt, solder, metal shavings, lime deposits or other foreign particles. Debris can become lodged between the ceramic discs and result in improper functioning of the open and close action of the valve. Particles can even cause cracks in the ceramic discs and render the cartridge useless.

LIFETIME WARRANTY ON 1/4 TURN CERAMIC DISC CARTRIDGE

Should the ceramic disc cartridge in your faucet ever fail, we will replace the failed part free of charge to the original purchaser of the product. Your cost will be a \$15.95 handling and mailing charge. Labor not included. When ordering replacements, denote for widespread or centerset lavatory, Roman Tub, or other. Include age of faucet. (This does not include thermostatic, pressure balance, kitchen or diverter cartridges.)

NOTICE

Our products are ICC-ES PMG listed and are tested to ASME A112.18.1/CSA B125.1-2011 and ASSE 1016, and comply with NSF/ANSI 61-2011a and NSF372 - 2010 for basin faucet, bar faucets, and kitchen faucets as required.