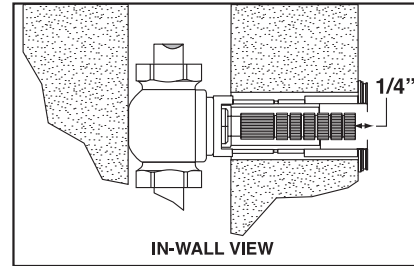


**1/2" or 3/4" INLINE SHUT OFF WITH WALL TUB SPOUT
INSTALLATION GUIDE**

PLEASE INSPECT PRODUCT PRIOR TO INSTALLING. Carefully review all pre-assembled parts. It will be necessary for the various parts to be re-assembled exactly as shown. **NOTICE:** These instructions do not represent step-by-step directions. They are a product supplement only to be used by a qualified/licensed plumber. We recommend all plumbing fixtures be installed by a professional.



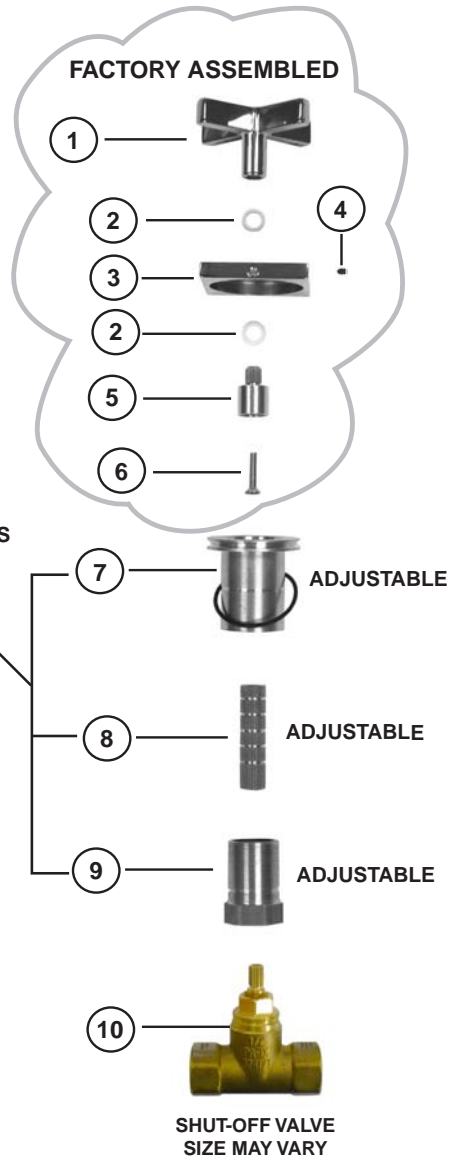
NOTE: STEM # 8 SITS INSIDE COLLAR #7. IT DOES NOT PROTRUDE BEYOND FACE OF COLLAR

Note: This assembly comes with only 3 adjustable components - Part #'s 7, 8, and 9.

The 3 parts can be field cut (**#7** and **#9**) for this wall application as thin as 1", or in thier factory delivered condition can be extended to **2-3/4"**.

Part **#8** -The 30 Point x 20 Point Stem Extension should always be cut down last. We have shown on Pages **2** and **3** the maximum and minimum choices.

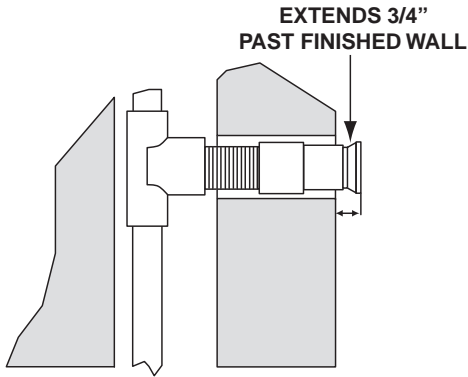
Look them over carefully before you begin.



Item	Qty	Description	Part #
1	-	TYPICAL HANDLE (preassembled at factory)	SPECIFY HANDLE
2	2	PLASTIC WASHER	88.01.025
3	1	WALL ESCUTCHEON	SPECIFY ROUND OR SQUARE
4	1	SET SCREW 8-32 x 1/8 CONE	19.01.083
5	1	2-WAY ADAPTER 30 - 20 PT.	88.30.313
6	1	M4 x 20 SCREW	88.30.314
7	1	UNIVERSAL VALVE COLLAR	88.30.315
8	1	STEM EXTENSION 20 - 30 PT.	88.30.319
9	1	XM-24 CONNECTING SLEEVE	88.30.320
10	1	1/2" INLINE SHUT-OFF VALVE	SPECIFY 1/2" OR 3/4"

TYPICAL WALL LAV OR WALL TUB SPOUT INSTALLATION INSTRUCTIONS

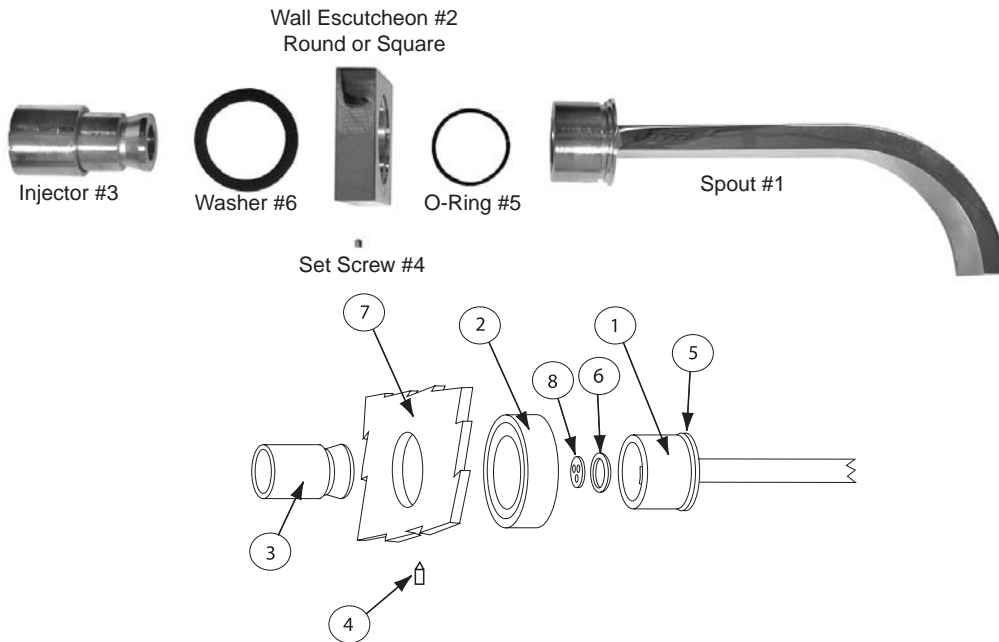
GENERAL INSTRUCTIONS



1) - The dual function injector, #3 has been designed to fit either a 1/2" or 3/4" NPT nipple (supplied by plumber). Secure injector onto appropriate nipple using teflon tape. Be sure injector is 3/4" beyond finished wall. **NOTE: The spout assembly which includes the wall escutcheon #2 will not fit flush to the finished wall if the injector is set beyond 3/4".**

2) - If the wall spout is to be used as a Wall Lav Spout then insert Part #8 - Optional Flow Restrictor - into spout #1 base prior to inserting onto injector #3. **NOTE: You may not need flow restrictor based on water pressure and volume of water in your home.**

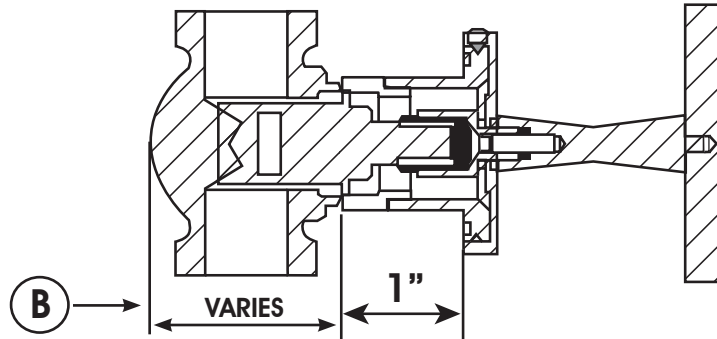
3) - Tighten set screw #4 thru #2 wall escutcheon securly into injector #3. Test for fit and leaks - if none - you are finished.



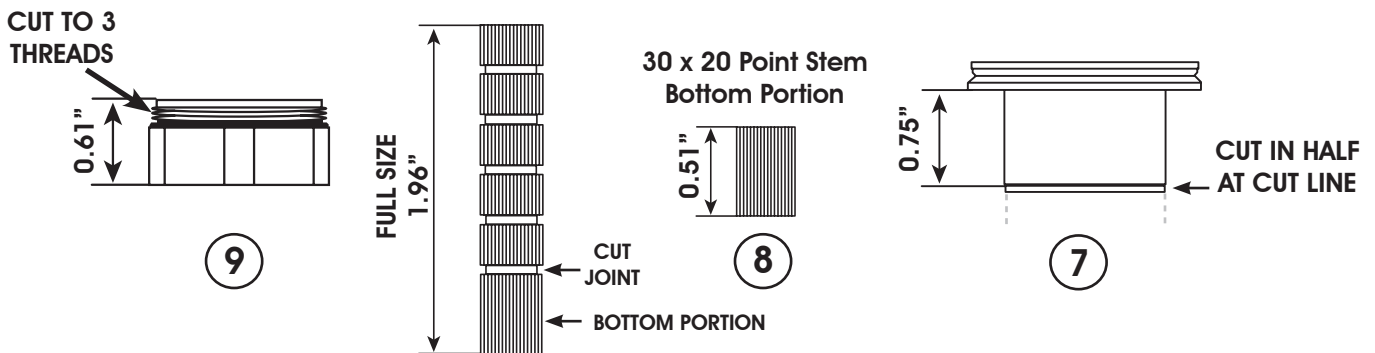
Item	Qty	Description	Part #
1	1	WALL SPOUT	SPECIFY WALL LAV OR WALL TUB
2	1	WALL ESCUTCHEON	SPECIFY ROUND OR SQUARE
3	1	INJECTOR CONNECTOR	88.30.280
4	1	SET SCREW 10 - 24 x 1/8	77.37.071
5	1	O-RING, 28.3 X 1.78	88.30.281
6	1	WASHER	88.30.321
7	1	CUSTOMER WALL	N/A
8	1	OPTIONAL FLOW RESTRICTOR	88.07.043

**1/2" OR 3/4" INLINE SHUT OFF
TECHNICAL GUIDE**

THIN WALL (MINIMUM THICKNESS) APPLICATION



Minimum size cutting collar and broached adapter



The minimum wall thickness for this extension kit is **1"**. This does not include the valve body (B) which varies up to **2"** deeper (more) if you are installing a 3/4" independent shut-off valve.

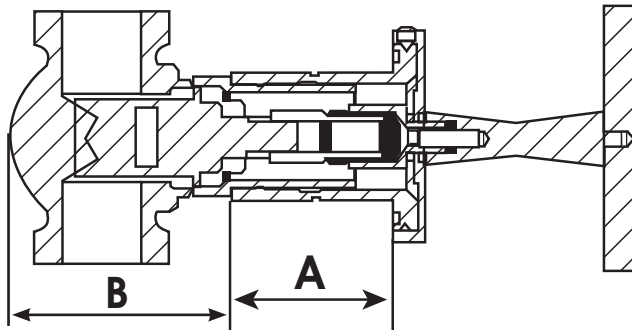
Note: Part #9 depicts after cutting at the cut joint = 3 full threads. Part #7 has been cut in the center - leaving 3/4" to be threaded onto Part #9. Pay close attention to Part #8. There is a top and bottom to the Dual Broached Stem Extension.

INSTALLER: You must cut the bottom portion off of #8 "Straight" between the cut joints or the handle assembly may sit crooked on your wall. The straighter all cuts, the better the finished installation.

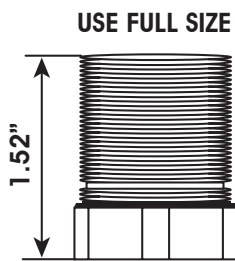
**1/2" OR 3/4" INLINE SHUT OFF
TECHNICAL GUIDE**

STANDARD (MOST COMMON) WALL APPLICATION

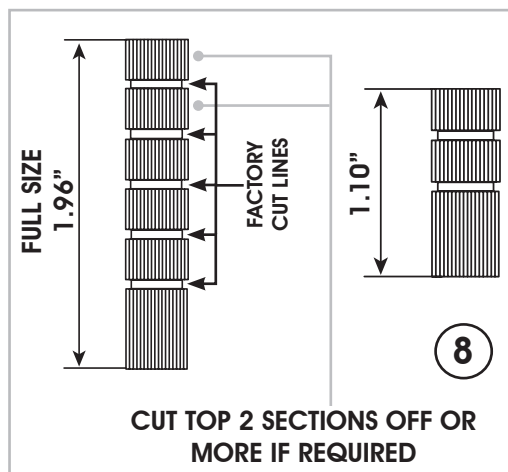
**A= VARIES
B= VARIES**



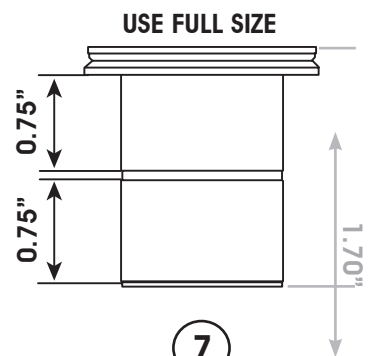
Size to finished wall without cutting the collar



9



8



7

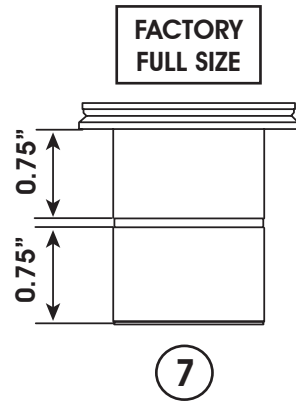
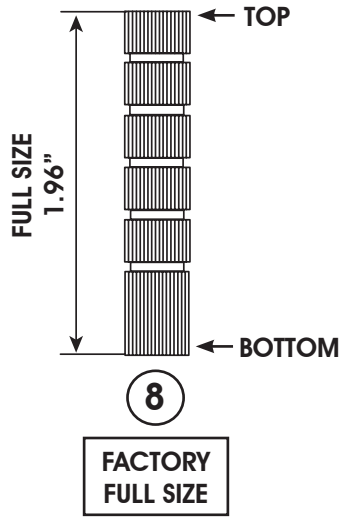
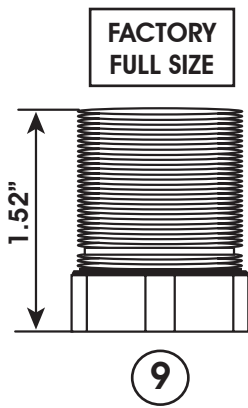
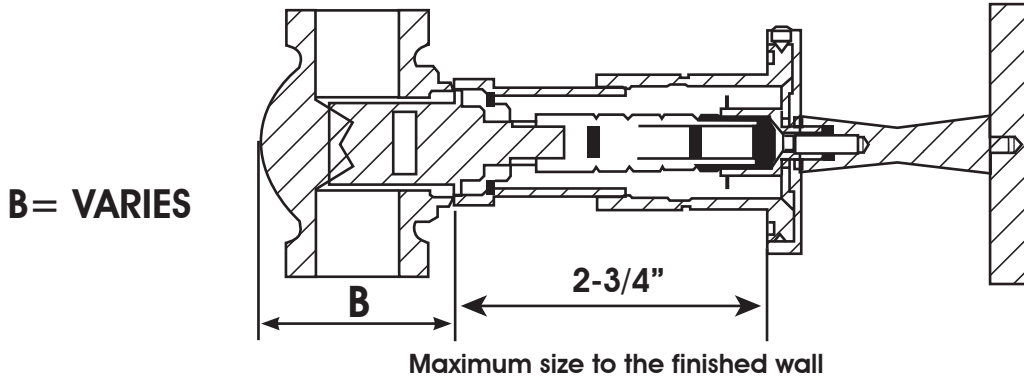
In the most common applications using part #'s 7 and 9 in their factory delivered sizes will give you the most wall thickness adjustment, from approximately 1-7/8" to 2-7/8".

SPACES INDICATE FACTORY CUT LINE LOCATION



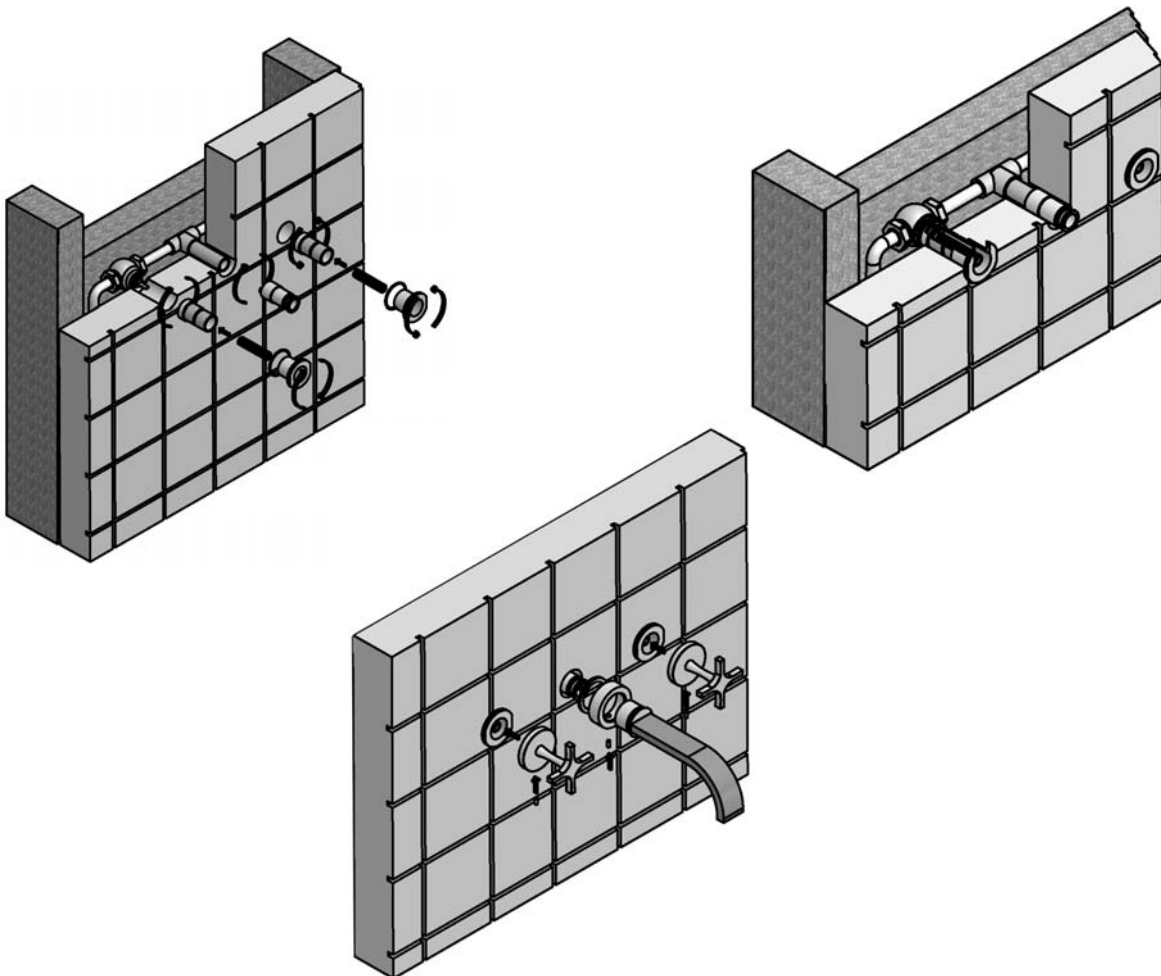
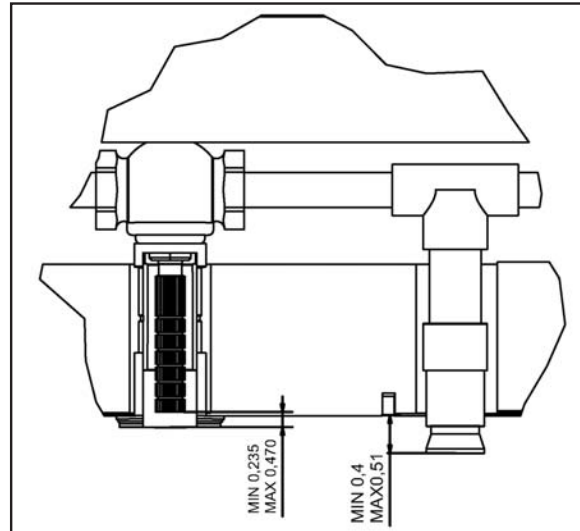
**1/2" OR 3/4" INLINE SHUT OFF
TECHNICAL GUIDE**

FULLY EXTENDED (EXTENSION KITS) WITHOUT CUTTING PART #'S 7, 8, OR 9



Note: Longer parts must be purchased separately and you must have room to include the valve body (B) which varies up to 2" deeper (more) if you are installing a 3/4" independent shut-off valve.

TYPICAL WALL TUB
VISUAL ASSEMBLY DETAILS
SEE INSTALLATION INSTRUCTION



VALVE CARE

Your 1/4 turn ceramic valve will provide you a lifetime of service when cared for properly. The most common valve problem is a result of debris in the water line, such as sand, silt, solder, metal shavings, lime deposits or other foreign particles. Debris can become lodged between the ceramic discs and result in improper functioning of the open and close action of the valve. Particles can even cause cracks in the ceramic discs and render the cartridge useless. For further information, please contact Bluewater Manufacturing Corporation @ 877-890-8006 or fax your request to 877-373-0649

BLUE WATER MANUFACTURING CORPORATION LIMITED PRODUCT WARRANTY

Product/Finish Warranty: Bluewater Manufacturing Corporation warrants that products are free from manufacturing defects in materials and workmanship for five (5) years from date of invoice. In addition, our Finish Warranty provides limited LIFETIME coverage for Chrome & PVD finishes, five (5) years for powder coated finishes & Polished Gold. Living finishes are warranted for workmanship only. If any material proves to be defective after inspection by our company, it will be repaired or replaced at our discretion at no charge. However, no claims for labor, shipping costs, or consequential damages will be accepted.

What we will do: We will restore any product whose finish proves to be defective back to its original finish at no charge during the appropriate warranty period stated above. Proof of purchase must be provided. After the warranty period, **Bluewater Manufacturing Corporation** will refinish any of its faucets at the prevailing appropriate charge.

What you must do: The faucets must be properly installed according to our instructions and specifications and are for residential use only. The faucets cannot be altered in any way. You must maintain and clean the faucets in accordance with the instructions provided with the product. You must use the faucet(s) for residential use only.

How to obtain service: Send your name, address, and telephone number along with a statement describing the nature of the problem and your paid sales slip or other proof of purchase to:

BLUE WATER MANUFACTURING CORPORATION
3280 Corporate View
Vista, CA 92081

We will then contact you and take appropriate action. Do not send us any part(s) of your faucet(s) or its various connecting hoses unless we have contacted you and have sent you an approved RGA form. All transportation charges for returned goods must be paid by the customer.

What is not covered: This warranty does not cover the crystal/glass, or porcelain products of any faucet or the drain assembly or aerator on other than the Chrome or PVD finishes. This warranty also does not cover damage caused by accident, alterations, misuse, abuse, normal wear and tear, lime deposits, direct exposure to salty air or corrosive materials, or the color change that takes place with the passage of time, or use in any manner contrary to **Bluewater Manufacturing Corporation's** printed instructions. Cartridge warranties vary. Please call factory for details. In the case of in-the-wall installations, **Bluewater Manufacturing Corporation** will assume no liability if there is no access. **In no event will we be liable for labor of any kind, incidental or consequential damages.** This warranty is extended in lieu of all other expressed or implied warranties, whether oral or written. **Many installation compounds are harmful to brass and metal finishes. The use of any lead-based or acidic curing adhesive, silicone, mastic, or plumber's putty on or near our finished products will void the finish warranty. Use only sealants which are neutral curing and are not reactive with metal and brass finishes.** **Bluewater Manufacturing Corporation** reserves the right to change, modify or alter its products as deemed necessary. This warranty supersedes any other American Faucet & Coatings Corporation warranties, whether oral or written.

*Unless otherwise contrary to state law governing the purchase, **Bluewater Manufacturing Corporation's** liability will not exceed the wholesale price for the **Bluewater Manufacturing Corporation** product considered defective. This warranty gives you specific legal rights, and you may also have other rights which vary from state to state. Some states do not allow exclusion of incidental or consequential damages, so the above limitation may not apply to you.*

LIFETIME WARRANTY ON 1/4 TURN CERAMIC DISC CARTRIDGE

Should the ceramic disc cartridge in your faucet ever fail, **Bluewater Manufacturing Corporation** will replace the failed part free of charge to the original purchaser of the product. Your cost will be a \$15.95 handling and mailing charge. Labor not included. When ordering replacements, denote for widespread or centerset lavatory, Roman Tub, or other. Include age of faucet. (This does not include thermostatic, pressure balance, kitchen or diverter cartridges.)

NOTICE

Bluewater Manufacturing Corporation products are ICC-ES PMG listed and are tested to ASME A112.18.1/CSA B125.1-2011 and ASSE 1016, and comply with NSF/ANSI 61-2011a and NSF372 - 2010 for basin faucet, bar faucets, and kitchen faucets as required.